

| Parts List | | | |
|------------|--------|-----------------------------|-------------------------|
| ITEM | PART # | DESCRIPTION | NOTES |
| 1 | K1612 | Series 12 Hinge Body | Assembly |
| 2 | K1650 | Extended 1/4 Round Retainer | Assembly |
| 43 | 5280 | Hinge Screw | Drill 11/32" Pilot Hole |
| 44 | 5230 | Closure Screw | Drill #10 Counter Sink |

Ship To:

Order #:

D

C

B

B

A

3

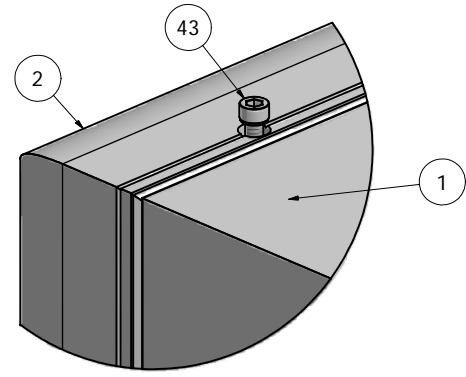
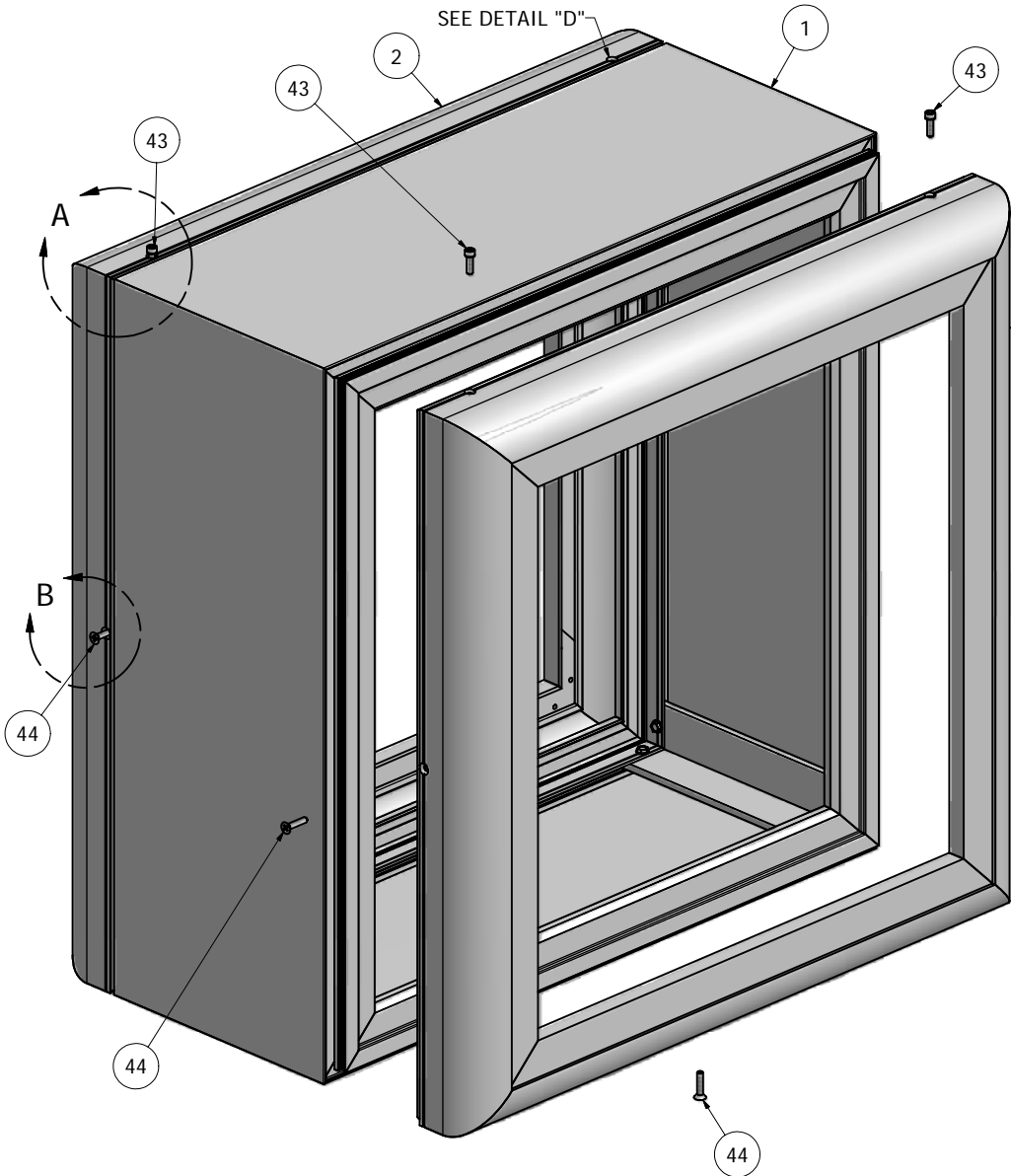
3

2

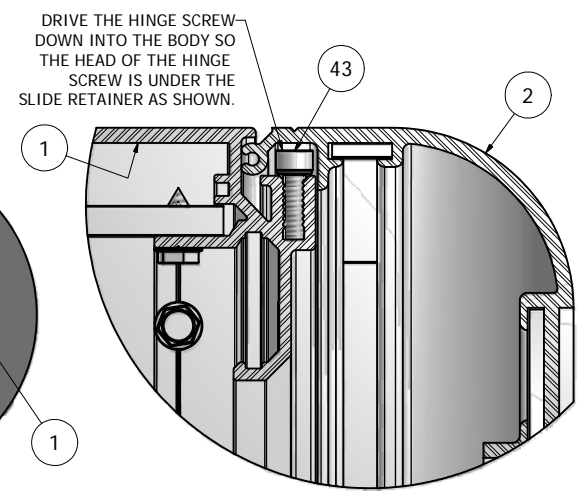
2

1

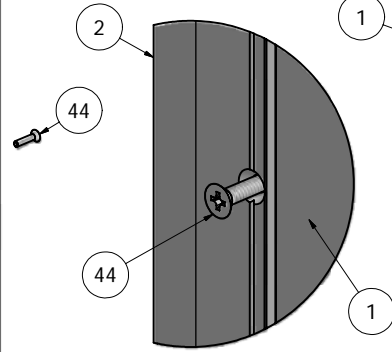
1



DETAIL A



DRIVE THE HINGE SCREW DOWN INTO THE BODY SO THE HEAD OF THE HINGE SCREW IS UNDER THE SLIDE RETAINER AS SHOWN.



DETAIL B

DETAIL D

NOTE: PRE-CUT KITS ARE NOT PRE-DRILLED.

(Holes shown in this drawing are for reference only. Drilling of pilot holes are to be done by fabricator.)

THIS DRAWING WAS CREATED AT NO CHARGE TO ASSIST YOU IN VISUALIZING OUR PROPOSAL. THE DRAWING HEREIN IS THE PROPERTY OF SIGNCOMP. PERMISSION TO COPY OR REVISE THIS DRAWING OR TO USE THIS DRAWING FOR PRODUCTION IS STRICTLY PROHIBITED AND CAN ONLY BE COPIED, REVISED OR USED FOR PRODUCTION WITH THE EXPRESSED WRITTEN PERMISSION OF SIGNCOMP.

| | | | |
|----------|-----------|---|--------------|
| DRAWN | 1/20/2009 | SignComp | |
| Steve | | | |
| CHECKED | | TITLE | |
| QA | | Series 12 Hinge Body - Extended 1/4 Round Retainer - Assembly | |
| MFG | | SIZE | DWG NO |
| APPROVED | | C | K1612/50 |
| | | SCALE | REV |
| | | | SHEET 1 OF 1 |

4

4

D

C

B

B

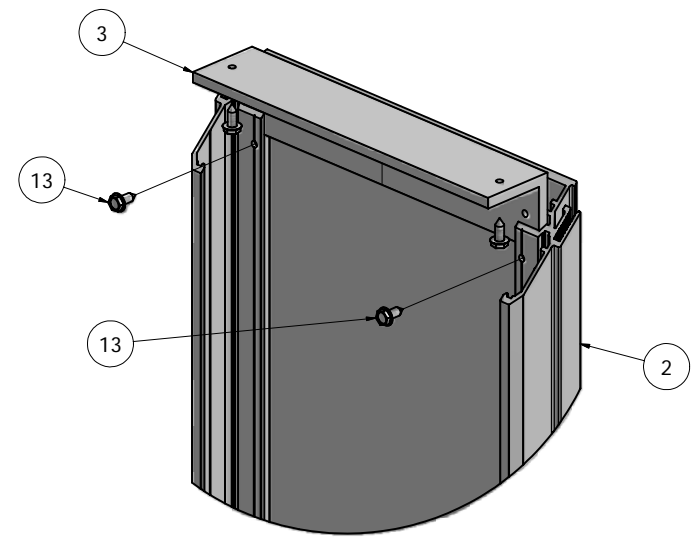
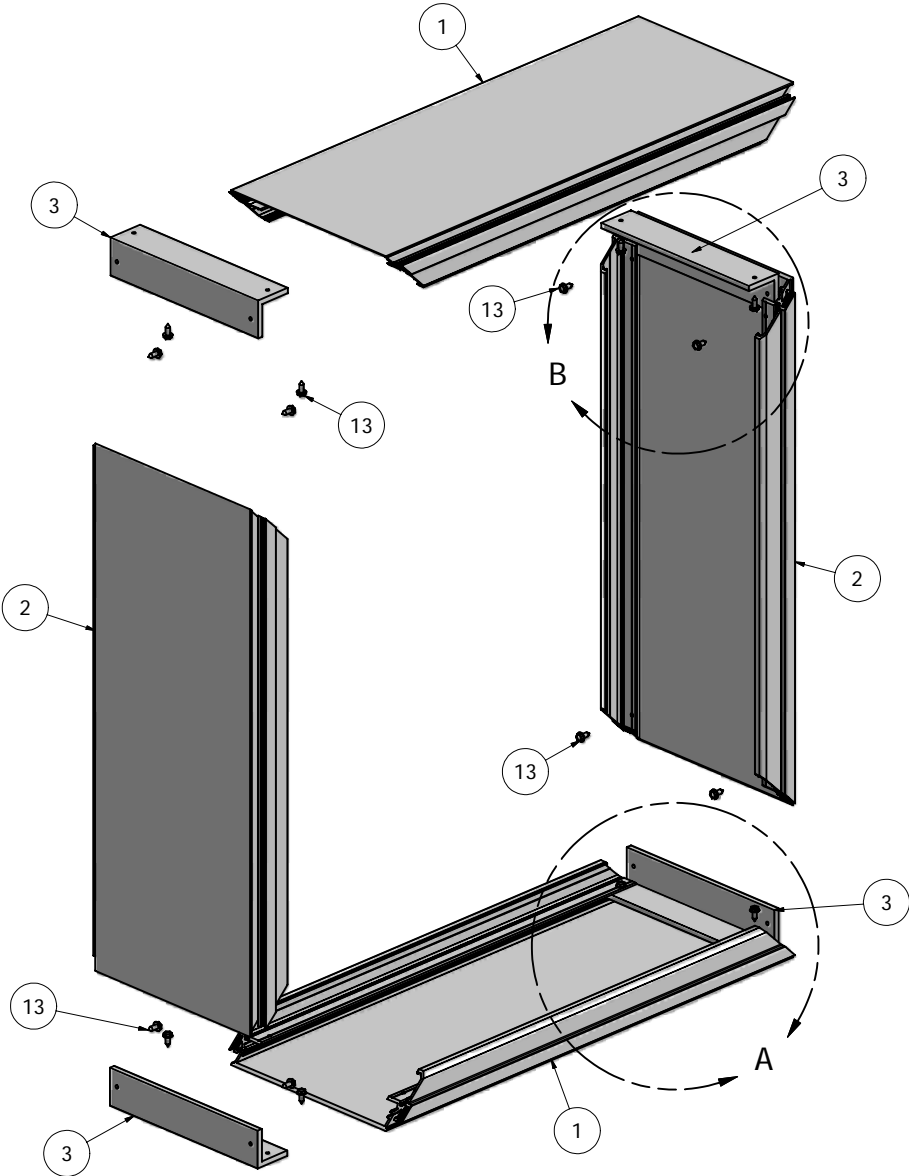
A

| Parts List | | | |
|------------|--------|-----------------------------------|------------------------|
| ITEM | PART # | DESCRIPTION | NOTES |
| 1 | 1612 | Series 12 Hinge Body | Top & Bottom |
| 2 | 1612 | Series 12 Hinge Body | Sides |
| 3 | 5342 | Series 12 Hinge Body Corner Angle | |
| 13 | 5218 | Corner Angle Screw | Drill 5/32" Pilot Hole |

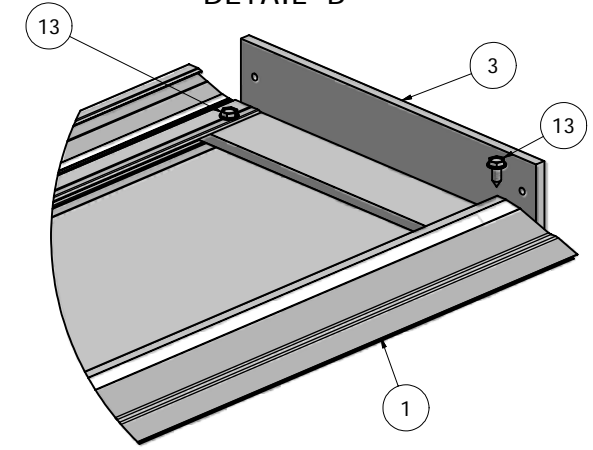
Ship To:

Order #:

D
C
B
A



DETAIL B



DETAIL A

NOTE: PRE-CUT KITS ARE NOT PRE-DRILLED.
 (Holes shown in this drawing are for reference only.
 Drilling of pilot holes are to be done by fabricator.)

THIS DRAWING WAS CREATED AT NO CHARGE TO ASSIST YOU IN VISUALIZING OUR PROPOSAL. THE DRAWING HEREIN IS THE PROPERTY OF SIGNCOMP. PERMISSION TO COPY OR REVISE THIS DRAWING OR TO USE THIS DRAWING FOR PRODUCTION IS STRICTLY PROHIBITED AND CAN ONLY BE COPIED, REVISED OR USED FOR PRODUCTION WITH THE EXPRESSED WRITTEN PERMISSION OF SIGNCOMP.

| | | | | |
|----------------|------------|--|-----------------|-----|
| DRAWN Steve | 12/22/2008 | SignComp Series 12 Hinge Body - Assembly | | |
| CHECKED | | | | |
| QA | | | | |
| MFG | | | | |
| APPROVED | | | | |
| | | SIZE C | DWG NO K1612 | REV |
| | | SCALE | SHEET 1 OF 1 | |

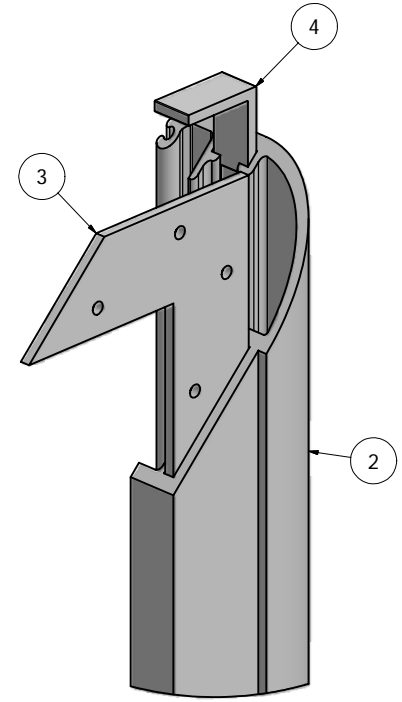
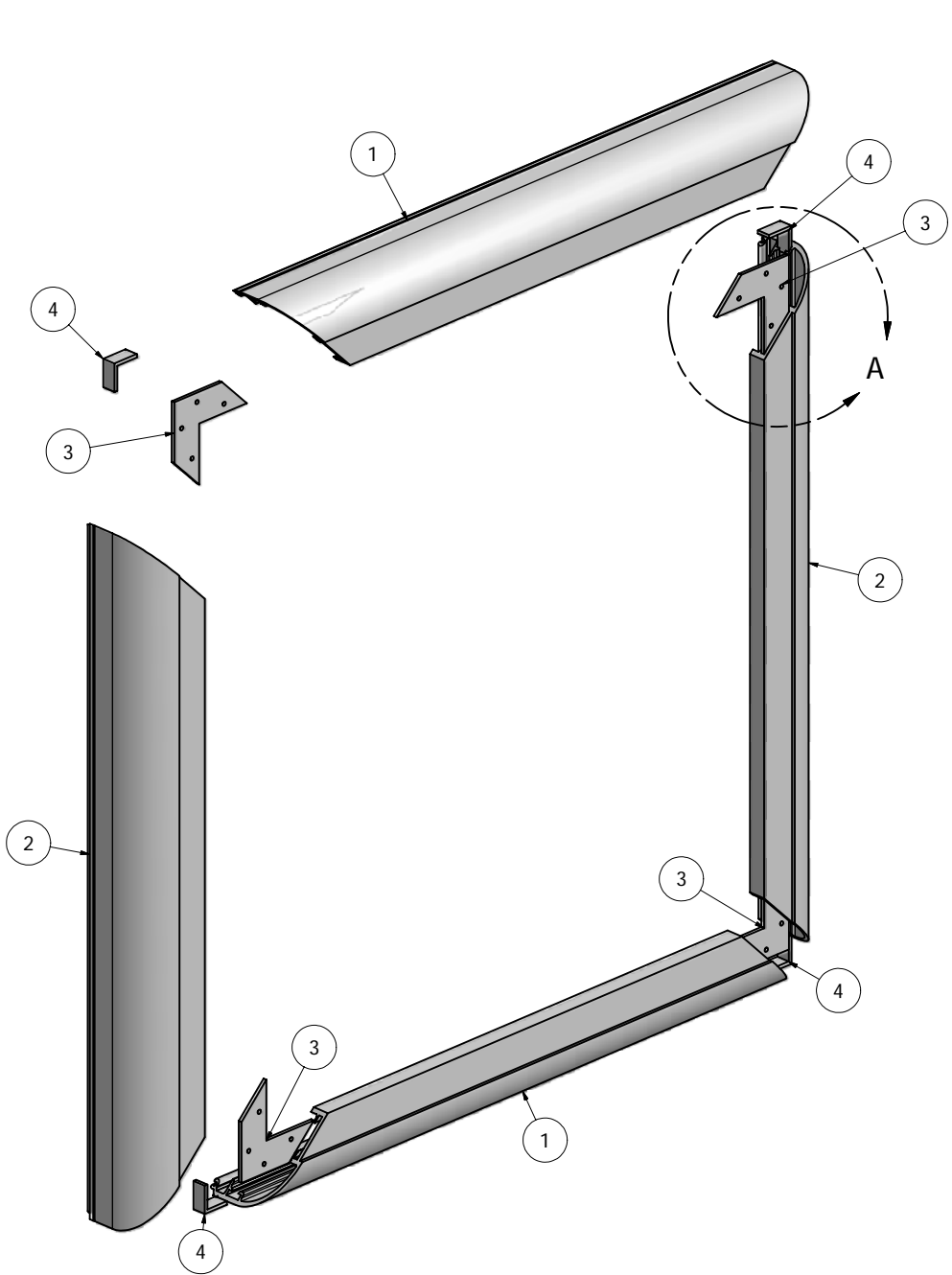
4 3 2 1

4 3 2 1

| Parts List | | | |
|------------|--------|--|--------------|
| ITEM | PART # | DESCRIPTION | NOTES |
| 1 | 1650 | Extended 1/4 Round Retainer | Top & Bottom |
| 2 | 1650 | Extended 1/4 Round Retainer | Sides |
| 3 | 5210 | Corner Key | Pre-Punched |
| 4 | 5325 | Extended 1/4 Round Retainer Corner Angle | |

Ship To:

Order #:



DETAIL A

NOTE: PRE-CUT KITS ARE NOT PRE-DRILLED.

(Holes shown in this drawing are for reference only.
Drilling of pilot holes are to be done by fabricator.)

THIS DRAWING WAS CREATED AT NO CHARGE TO ASSIST YOU IN VISUALIZING OUR PROPOSAL. THE DRAWING HEREIN IS THE PROPERTY OF SIGNCOMP. PERMISSION TO COPY OR REVISE THIS DRAWING OR TO USE THIS DRAWING FOR PRODUCTION IS STRICTLY PROHIBITED AND CAN ONLY BE COPIED, REVISED OR USED FOR PRODUCTION WITH THE EXPRESSED WRITTEN PERMISSION OF SIGNCOMP.

| | | | | |
|----------------|------------|---|-----------------|-----|
| DRAWN Steve | 12/22/2008 | <h1>SignComp</h1> <p>Extended 1/4 Round Retainer - Assembly</p> | | |
| CHECKED | | | | |
| QA | | | | |
| MFG | | | | |
| APPROVED | | | | |
| | | SIZE C | DWG NO K1650 | REV |
| | | SCALE | SHEET 1 OF 1 | |